

START FROM HERE

- Make sure **POWER** is **COMPLETELY OFF** at the fuse box
- Have your fixture installed by a qualified licensed electrician
- Prepare everything in a clear area
- Wear gloves at all time during this installation
- Read instructions carefully before you start assembly
- Keep this installation sheet for future reference

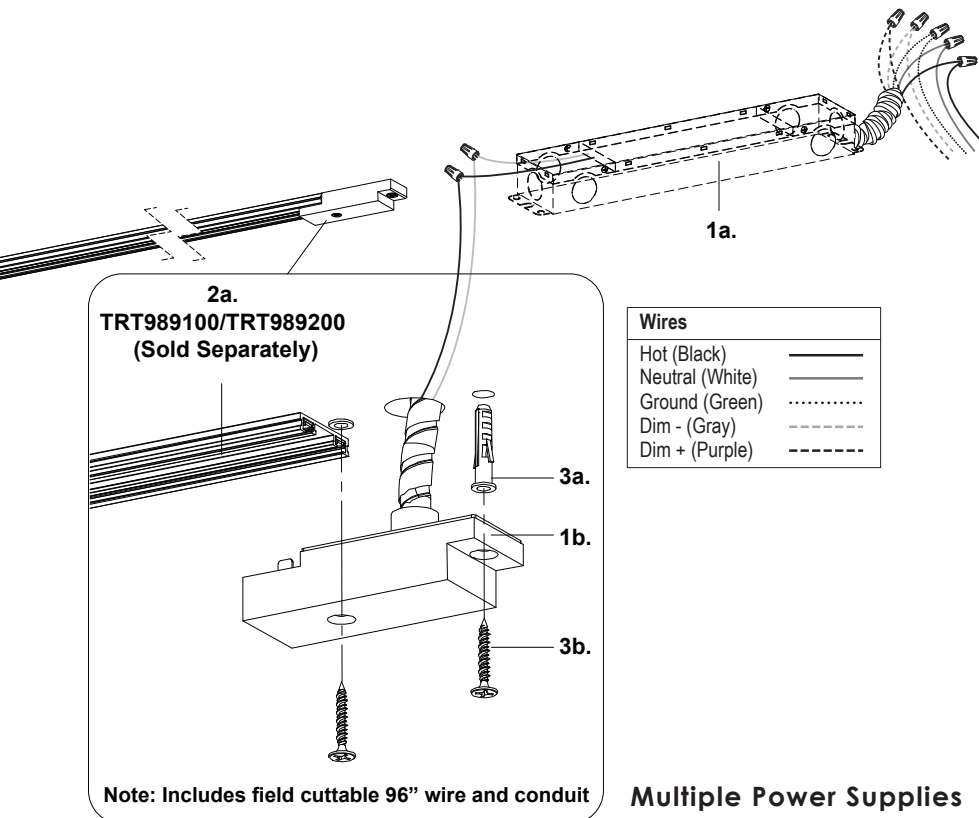
Technical Support: 1-855-855-8926

Please Note:

- Use ELV (Electronic Low Voltage)/ TRIAC type of dimmer or 0-10V type of dimmer for dimming application
- To be used with max track length of 40m
- Includes end feed with field cuttable 96" wire and conduit
- 120-277V input

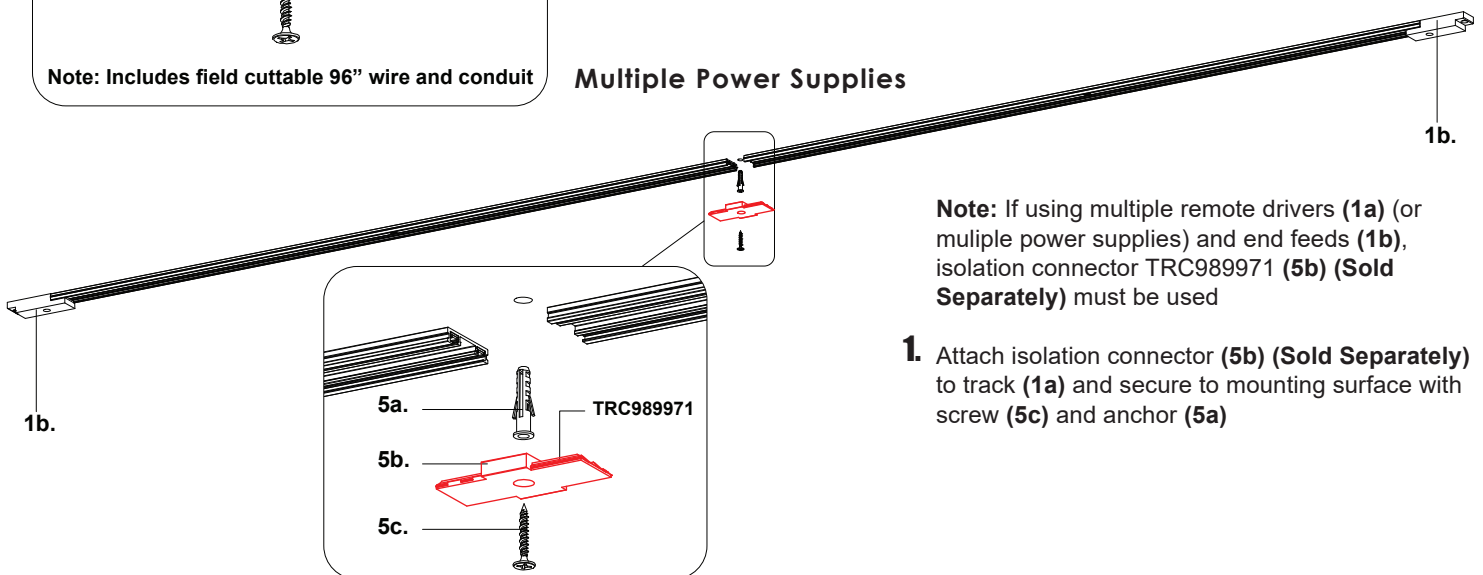
POWERING THE TRILO TRACK SYSTEM

Single Power Supply



1. Remote driver (1a) must be installed and voltage wires brought to the mounting location prior to fixture installation. Make proper electrical connections (**black to hot "L"**, **white to neutral "N"**, **green to "GND"**, **Dim + to purple**, **Dim- to gray**) with wire nuts provided in hardware package
2. Connect LED+/LED- wire from remote driver (1a) to approximate location. Make proper LED+/LED- wire connection with wire nuts provided
3. Cut wires and conduit to desired length and prepare in accordance to local electrical codes
4. Attach remote driver end feed (1b) at end of track TRT989100/TRT989200 (2a) (Sold Separately). Secure to mounting surface with screw (3b) and anchor (3a)

Multiple Power Supplies



Note: If using multiple remote drivers (1a) (or multiple power supplies) and end feeds (1b), isolation connector TRC989971 (5b) (Sold Separately) must be used

1. Attach isolation connector (5b) (Sold Separately) to track (1a) and secure to mounting surface with screw (5c) and anchor (5a)