

CRYSTORAMA

LIGHTING THE WAY FOR SIXTY YEARS

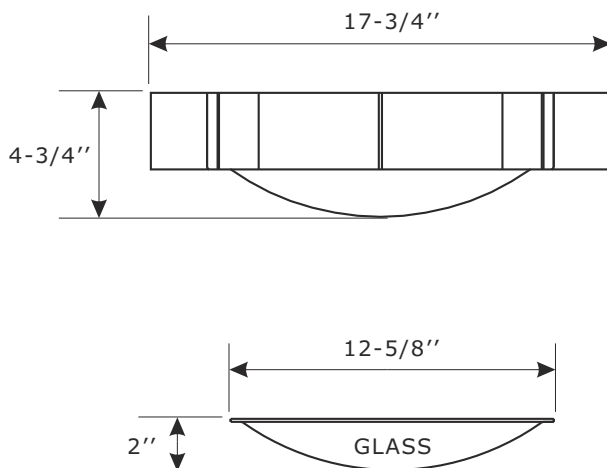
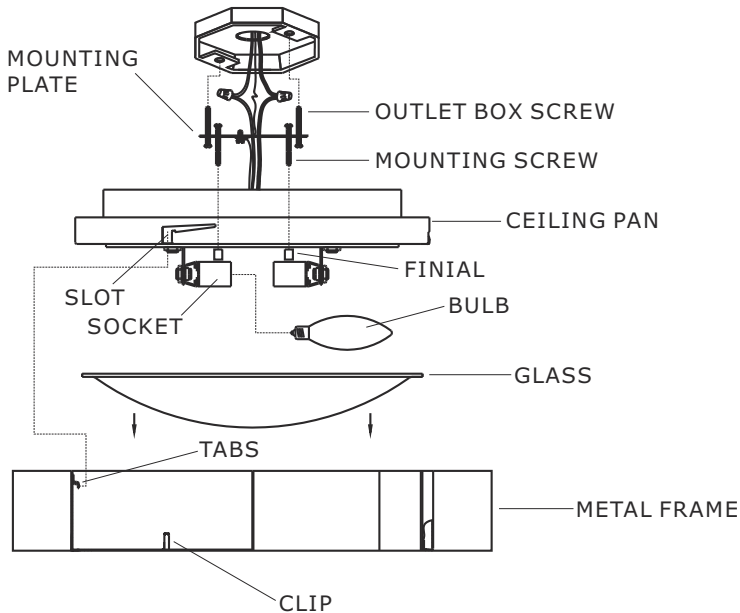
ASSEMBLY INSTRUCTION MODEL#SOL-A3103-BF



All electrical components must be installed by a licensed electrician in accordance with the National Electric Code and the appropriate local electrical codes.



You will need 3- Candelabra Base Bulb
40 Watts Recommended 60 Watts Max.
USE LED BULBS FOR EXTENDED USE



How to install

1. Remove the metal frame from the ceiling pan by twisting it counter-clockwise.
2. Install the mounting screws into the matching holes in the mounting plate. Secure the mounting plate to outlet box with the outlet box screws.
3. Connect fixture wires to supply wires in outlet box.
4. Raise ceiling pan up allowing the mounting screws to protrude through the holes in the ceiling pan and secure with the finials.
5. Install the bulb(not included) into socket.
6. Place the glass onto the bottom of metal frame, and secure it with the clips.
7. Raise the metal frame up and have the tabs on top of metal frame inserted into the slot of ceiling pan. Secure it by twisting it clockwise.

How to change bulb

1. Remove the metal frame from the ceiling pan by twisting it counter-clockwise.
2. Replace the bulbs.
3. Put the metal frame back and have tabs on top of frame inserted into the slot of ceiling pan. Secure it by twisting it clockwise.

CRYSTORAMA

LIGHTING THE WAY FOR SIXTY YEARS

ASSEMBLY INSTRUCTION MODEL#SOL-A3103-BF

Part Number

Part Numbers

- A. (1)-Mounting hardware
- B. (1)-Ceiling pan
- C. (2)-Finial #XRF3103BFFIN
- D. (3)-Socket
- E. (1)-Glass #XRF3103GLA12.625IN
- F. (1)-Metal frame

