

location:
WET

SPECIFICATIONS:

DESCRIPTION

Outdoor wall sconce features handcrafted European glass.

LAMPING

Standard: 75W A19 120V, lamps not included.

DIFFUSER

The 3532 Outdoor Wall fixture is a modern sconce design composed of a transparent glass diffuser, with an interesting bubble pattern blown randomly throughout the glass.

Dimensions are 6"W x 10.25" H x 4" D.

CONSTRUCTION

Stamped Stainless steel fitter. Glass is secured by stainless steel set screws.

MOUNTING

Installs directly to a 4" octagonal outlet box, centered on fixture. 75°C supply wire required for incandescent lamping.

LABELS

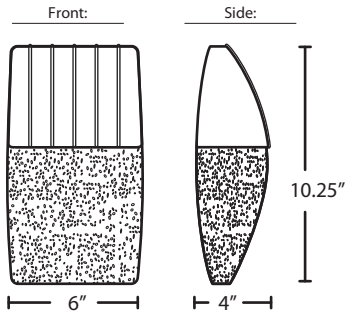
UL or ETL Listed. Suitable for Wet Locations. May be used in Interior or Exterior applications.



353258
Black/Smoke Bubble



353299
Bronze/Smoke Bubble



ORDERING:

3 | 5 | 3 | 2 | | - | | |

- | DECOR | LAMPING |
|------------------------|----------------------------|
| 58 Black/Smoke Bubble | (Blank) 1x 75W A19 (Incan) |
| 99 Bronze/Smoke Bubble | |

Project Information:

All dimensions provided are nominal. Allowance must be made for dimensional tolerance in handcrafted glasses.

REV 3/17